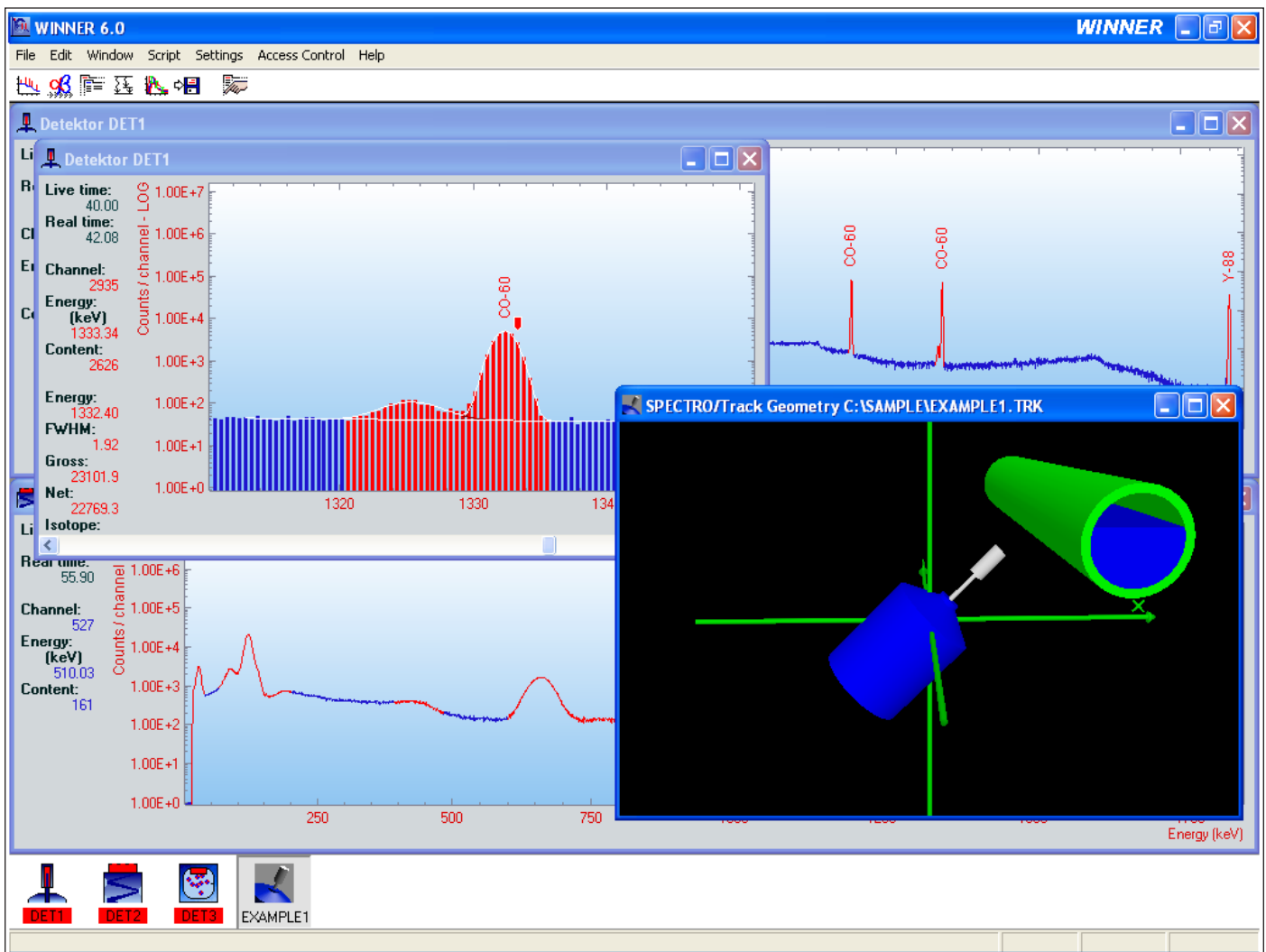


# WINNER 6.0



**WINNER** screenshot showing spectra of different types and **WINNER/TRACK** geometry.

**WINNER** is the universal nuclear spectroscopy for up to 32 inputs that provides different analysis engines for Germanium, NAI, Alpha and CZT, all simultaneously available for corresponding detectors and spectra.

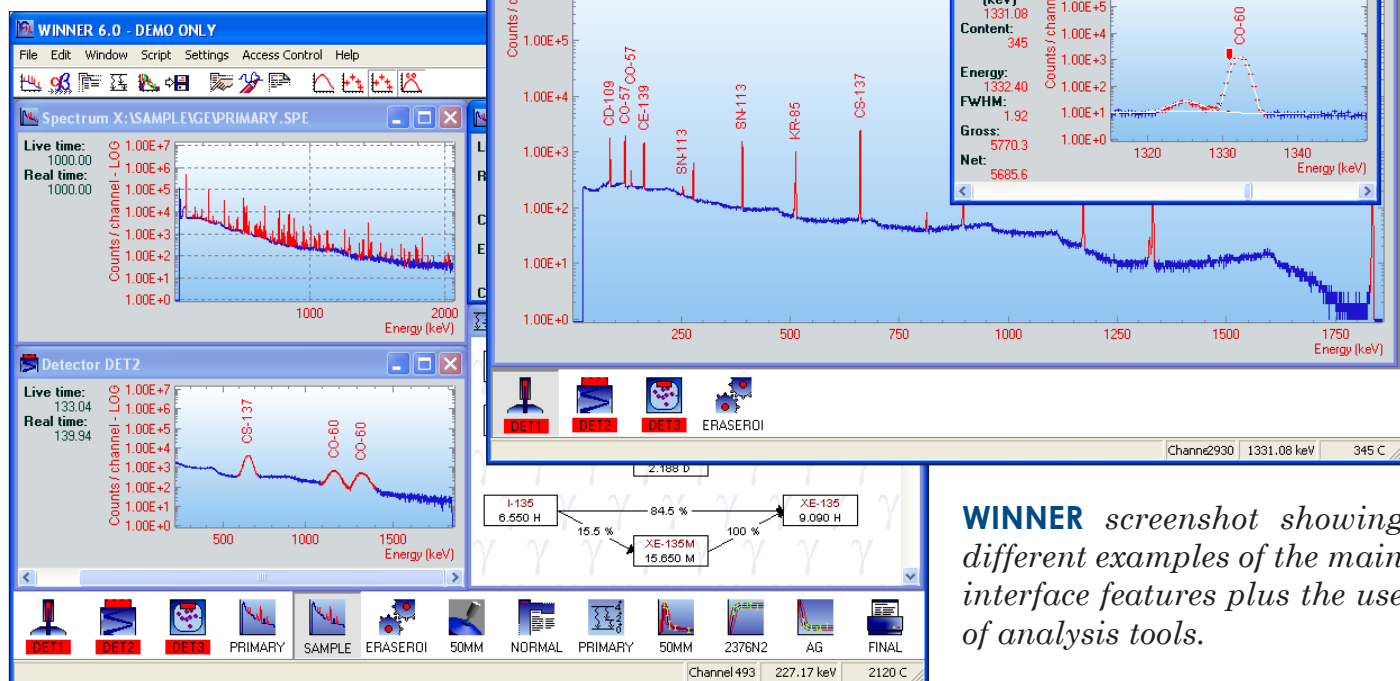
**WINNER** controls data acquisition and incorporates analysis, naturally containing the modules for all auxiliary data files necessary for thorough interpretation and research. Through the multi-document based user interface **WINNER** offers the possibility to show as much as 1024 different spectra as well as an unlimited number of regions of any individual

spectrum in multiple windows. Spectra currently in acquisition or loaded from hard disk are shown and can be handled synchronous, while all the auxiliary data files (such as isotope tables) are handled in the same interface plus many can be loaded parallel.

**WINNER** is directly compatible with the FAST ComTec models MCA-3, webMCA and MCD4LAP. **WINNER** can, however, also be used with practically every commercially available MCA.

# Main WINNER Interface Features

**WINNER**'s multi - document based user interface allows effective handling of data and spectra. Combined with the tool bar, showing useful func-



*WINNER screenshot showing different examples of the main interface features plus the use of analysis tools.*

tions for the currently selected file and, the icon bar, displaying the actual status of all inputs, it makes **WINNER** to a powerful but easy to handle tool of modern nuclear spectroscopy.

**WINNER** not only provides the simultaneous display of different spectra and auxiliary files but also ensures effectiveness through various helping devices in the area of spectrum analysis and particularly useful means to be fitted for the needs of multiple users without interfering with analysis quality.

In a spectrum **WINNER** is capable of labelling peaks automatically plus peak fit, peak areas and activities will be shown if desired. During the acquisition all these afore mentioned data will be frequently updated.

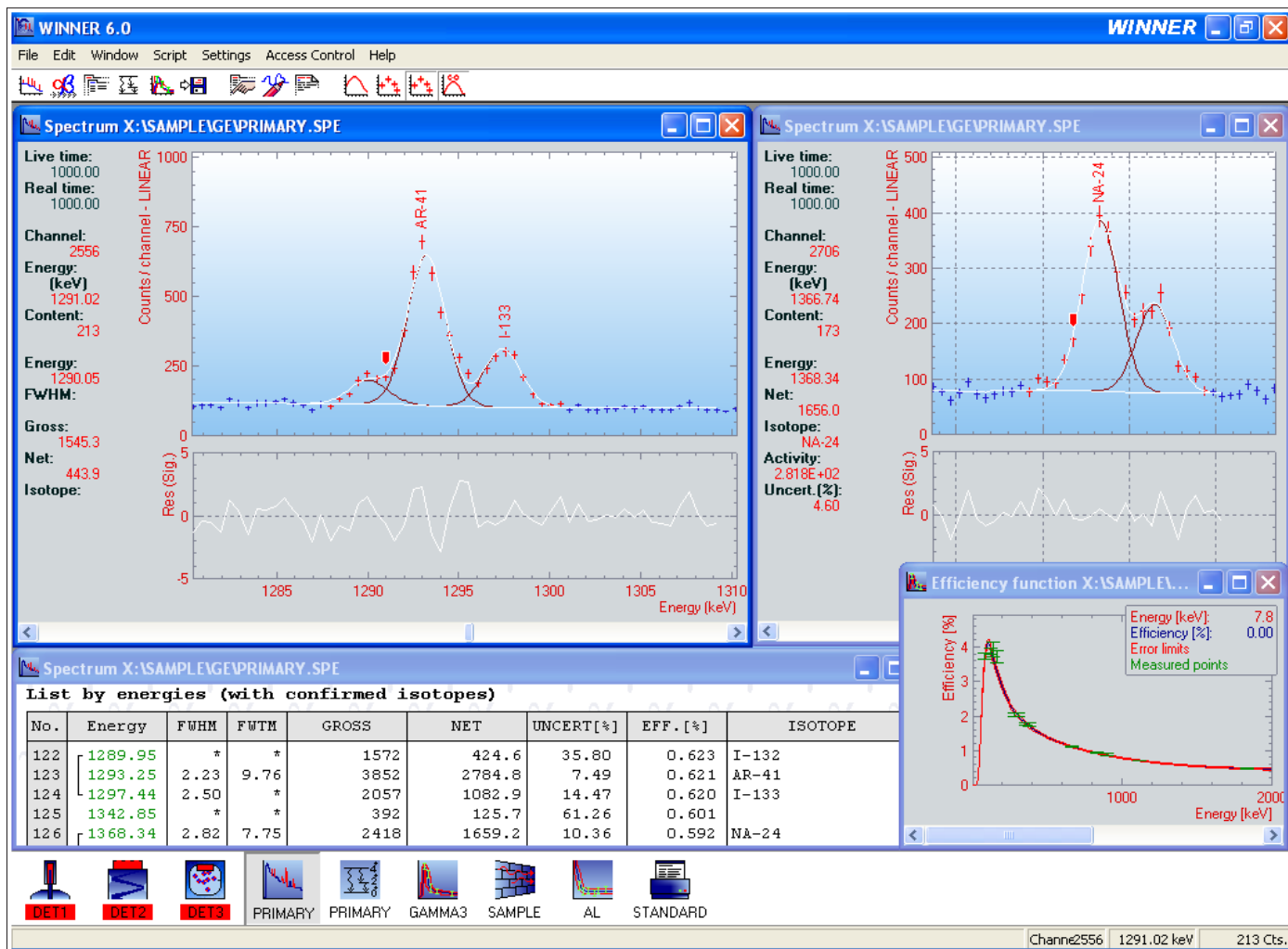
To get the best suitable presentation of a spectrum **WINNER** offers it's user a wide range of display modes, such as fill channels, error bars, points, with or without axes, grid etc.. To make the handling of the various options

more efficient, preferred setups can be set as user defaults. If the user so wishes he may also write his own annotations and comments directly into the spectrum display, thus allowing them to be stored or printed together with the spectrum into a bitmap file or even easier exported into other applications (e.g. word processors).

Furthermore parameter files allow preparing all of the acquisition and analysis parameter in advance while hypertext leads the user fast to the required information. All the **WINNER** interface can be controlled and modified using the integrated scripting language.

To suit the requirements of any modern environment in which the need for nuclear spectroscopy might appear and making collaboration as smooth as possible **WINNER** is available in different languages, therefore enabling different users to select and store their individual selected languages, colours and display modes.

# Main WINNER Analysis Features



The analysis of any spectrum in **WINNER** can be started during its acquisition and is frequently updated while the new data is acquired. This also applies to features such as the afore mentioned automatic peak search and so on.

The fitting of peaks in **WINNER** works naturally with deconvolution of multiplets, optionally also library aided.

In **WINNER** the calculation of isotope activity works both ways, per line as well as averaged, the results are shown on screen, but may also be printed or transferred into a data base.

**WINNER**, when the user so wishes is prepared to perform the energy and resolution calibration fully automatic, library assisted or manually.

Through every by **WINNER** performed analysis the following corrections are considered:

- Isotope gamma emission probability using user-modifiable isotope libraries
- Energy depended efficiency correction
- Spectrum/Compton background subtraction
- Either background peak subtraction or background spectrum correction
- Decay correction including parent/daughter in-grow determination
- Correction for absorption inside the sample and between sample and detector (self-attenuation and attenuation shield)

**WINNER** features an interactive analysis including a graphical display of the calculated background and fit and the possibility to insert or suppress peaks manually.

# Ordering Information for **WINNER**

## Basic Packages

### **WINNER/G**

Basic program with germanium analysis and one input

### **WINNER/A**

Basic program with Alpha analysis and one input

### **WINNER/N**

Basic program with NAI analysis and one input

## Additional inputs

### **WINNER/+1**

One input more for **WINNER/G** or **WINNER/N**

### **WINNER/+1A**

One input more for **WINNER/A**

A discount is given on simultaneous purchase of two analysis packages on one system/dongle.

## Add-ons (these require one of the above)

### **WINNER/SC**

Sample changer extension. Includes adaptation of the software if necessary.

### **WINNER/SCAN**

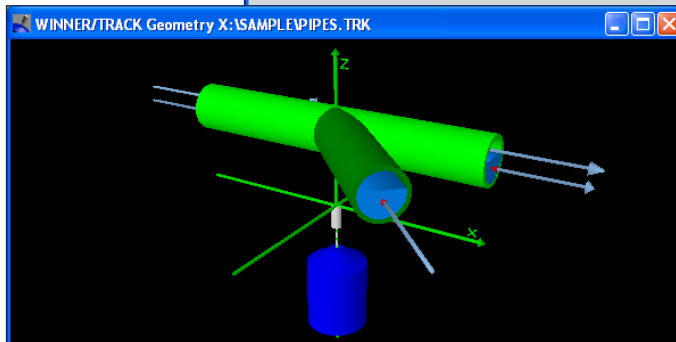
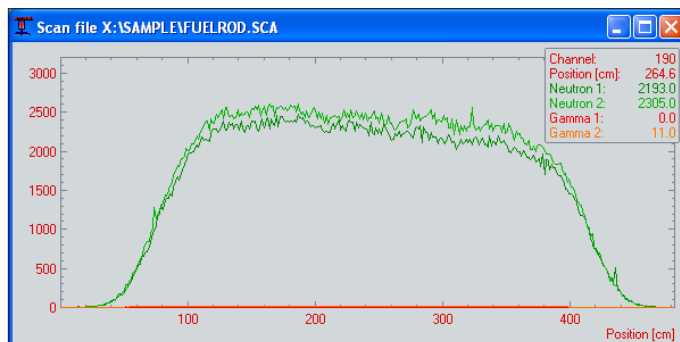
Scanning in time or space

### **WINNER/COMM**

Provides control of **WINNER** from external programs using COM-Automation, ActiveX, DDE or TCP/IP

### **WINNER/REPORT**

Tool to create custom reports. Uses an external RTF-capable word processor.



GmbH · Grünwalder Weg 28a · D-82041 Oberhaching · Germany  
Tel 49-(0)89-66 51 80 50 · FAX 49-(0)89-66 51 80 40 · <http://www.fastcomtec.com>